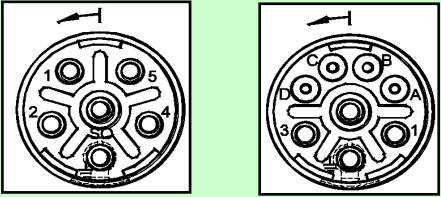


CONINVERS®

Shielded Cable/Bulkhead Connectors M23 Series SF-... Technical Data

Shell material	
Machined components:	Copper-Zinc alloy (CuZn)
Die-cast components:	Zinc GD-Zn)
Shell plating:	Nickel (Ni) plated, panel mount connectors chromated
Cable entry:	max. 18 mm
Insulator	
Connector inserts:	Polyamid (PA 66) UL 94 V0
Contacts	
Contact material:	Copper-Zinc alloy (CuZn)
Contact plating:	Nickel (Ni) with gold (Au) passivated
Contact termination:	Crimp contacts
Sealing	
Sealing rings:	Fluor rubber (FPM)
Gaskets:	Fluor rubber (FPM), or Perbunan (NBR) stiffened gaskets
Temperature	
Temperature (long term) Celsius:	- 40 °C up to +125 °C
Temperature (long term) Fahrenheit:	- 40 °F up to + 257°F
Mating	
Threading female coupling nuts:	M 23 metric thread 23 mm Ø
Threading male receptacles:	M 23 metric thread 23 mm Ø
Mating cycles:	Standard min. 50
Protection	
Protection class :	IP 67 (mated) depends on which cable gland is used
Derating curve on page R-55-02	
	
mating face female mating face female	

SF
Series

Number of positions			5+PE		4+3+PE		
Number of contacts			6		4 4		
Contact dia. (mm Ø)			2		1 2		
Rated current (A)			30		9 30		
Rated voltage (V)			630		250 630		
Test voltage (Volt AC)			6,000		4,000 6,000		
Overvoltage category DIN EN 61984-2001			III		III		
Insulation resistance (Ω)			≥10 ¹²		≥10 ¹²		
Contact resistance (mΩ)			≤3		≤3		
Pollution degree acc. to IEC 664-1			2 (3 ¹)		2 (3 ¹)		

CONINVERS®

Shielded Cable Connectors M23 Series SF-...

Shell styles 8, 8 long, 9, 9 long, AD, WA

SF-xxxxxxx80xx page R-20-03	SF-xxxxxxx8Lxx page R-20-04	SF-xxxxxxx90xx page R-20-05
cable connector straight with female coupling nut cable entry max. 14 mm universal shielding material	cable connector straight with female coupling nut cable entry max. 18 mm universal shielding material	cable connector straight with male thread cable entry max. 14 mm universal shielding material
 <p style="text-align: center; color: red;">style 8</p>	 <p style="text-align: center; color: red;">style 8 long</p>	 <p style="text-align: center; color: red;">style 9</p>
SF-xxxxxxx9Lxx page R-20-06	SF-xxxxxxxADxx page R-20-07	SF-xxxxxxxWaxx page R-20-08
cable connector straight with male thread cable entry max. 18 mm universal shielding material	front mount angled with male thread with O-ring axial variable position 310°	front mount straight with male thread with O-ring axial fixed position
 <p style="text-align: center; color: red;">style 9 long</p>	 <p style="text-align: center; color: red;">style AD</p>	 <p style="text-align: center; color: red;">style WA</p>

SF
Series

CONINVERS®

Shielded Cable Connectors M23 Series SF-... Shell styles C0, CL, AF, Y0

SF-xxxxxxxC0xx page R-20-09	SF-xxxxxxxCLxx page R-20-10	SF-xxxxxxxAFxx page R-20-11
cable connector straight with male thread cable entry max. 14 mm universal shielding material rear mount, flange	cable connector straight with male thread cable entry max. 18 mm universal shielding material rear mount, flange	front mount angled with male thread with O-ring axial fixed position
 <p style="text-align: center; color: red;">style C0</p>	 <p style="text-align: center; color: red;">style CL</p>	 <p style="text-align: center; color: red;">style AF</p>
SF-xxxxxxxY0xx page R-20-12		
front mount straight with female coupling nut with O-ring axial straight or angled		
 <p style="text-align: center; color: red;">style Y0</p>		

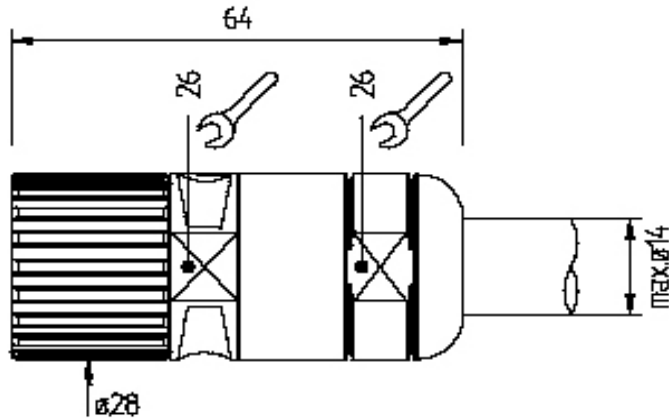
SF
Series

CONINVERS®

Shielded Cable Connectors M23 Series SF-...

fits all SC/SF- Bulkhead and SC/SF-Cable Connectors with male thread

Shell style 80



with integrated strain relief and universal sealing for cable dia. 7.5 - 14.0 mm

Assembly instructions: page R-30-11

Spec. sheets: upon request

Caps and accessories: page R-52-05

Crimp contacts: page R-35-17...

Mounting tools: 2 wrenches size 26 mm

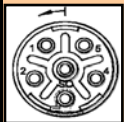
Crimp tool for contacts: page R-38-01...

All SF-connectors with universal shielding material for different jacket and shield diameters.

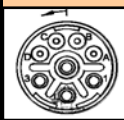
Part Number

SF- x x x x x x x 8 0 D U

Please fill in the P/N for the insert



6 pos. female
(5 + E) 5 E S 1 N 8 A
crimp insert w/o contacts



8 pos. female
(4+3+PE) 7 E S 1 N 8 A
crimp insert w/o contacts

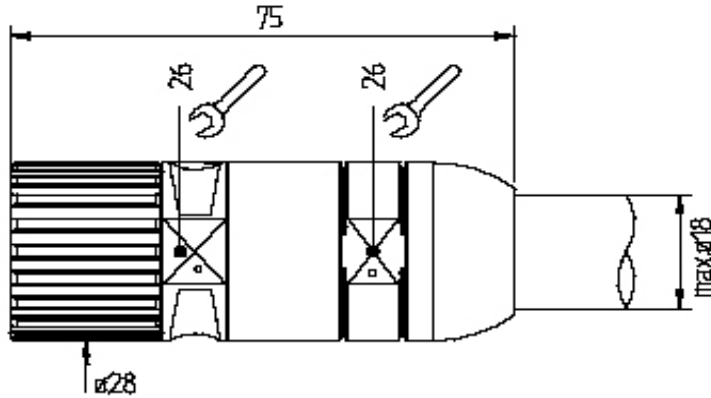
SF
Cable

CONINVERS®

Shielded Cable Connectors M23 Series SF-...

fits all SC/SF- Bulkhead and SC/SF-Cable Connectors with male thread

Shell style 8L (long)



with integrated strain relief and universal sealing for cable dia. 7.5 - 18.0 mm

Assembly instructions: page R-30-11
Spec. sheets: upon request
Caps and accessories: page R-52-05
Crimp contacts: page R-35-17...
Mounting tools: 2 wrenches size 26 mm
Crimp tool for contacts: page R-38-01...

All SF-connectors with universal shielding material for different jacket and shield diameters.

Part Number SF- X X X X X X X X 8 L D L

Please fill in the P/N for the insert

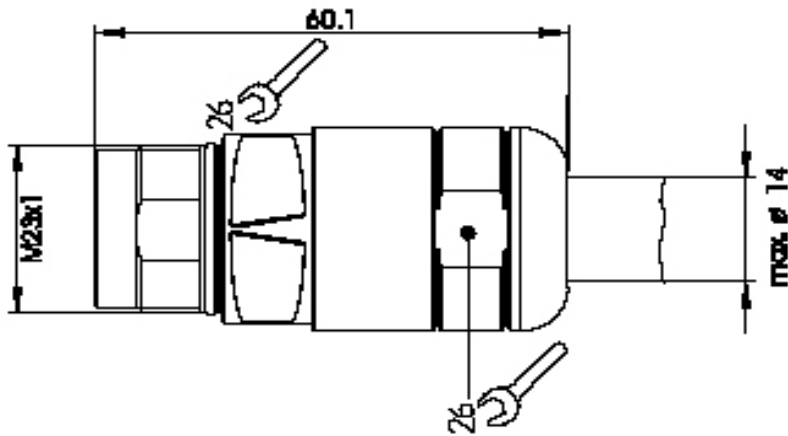
	6 pos. female (5 + E) crimp insert w/o contacts	5	E	S	1	N	8	A
	8 pos. female (4+3+PE) crimp insert w/o contacts	7	E	S	1	N	8	A

SF
Cable

CONINVERS®

Shielded Cable Connectors M23 Series SF-...

fits all SC/SF-Bulkhead and SC/SF-Cable Connectors w. female coupling nut
 Shell style 90



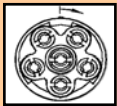
with integrated strain relief and universal sealing for cable dia. 7.5 - 14.0 mm

Assembly instructions: page R-30-11
Spec. sheets: upon request
Caps and accessories: page R-52-05
Crimp contacts: page R-35-17...
Mounting tools: 2 wrenches size 26 mm
Crimp tool for contacts: page R-38-01...

All SF-connectors with universal shielding material for different jacket and shield diameters.

Part Number SF- x x x x x x x x 9 0 D U

Please fill in the P/N for the insert



6 pos. male
 (5 + E) 5 E P 1 N 8 A
 crimp insert w/o contacts



8 pos. male
 (4+3+PE) 7 E P 1 N 8 A
 crimp insert w/o contacts

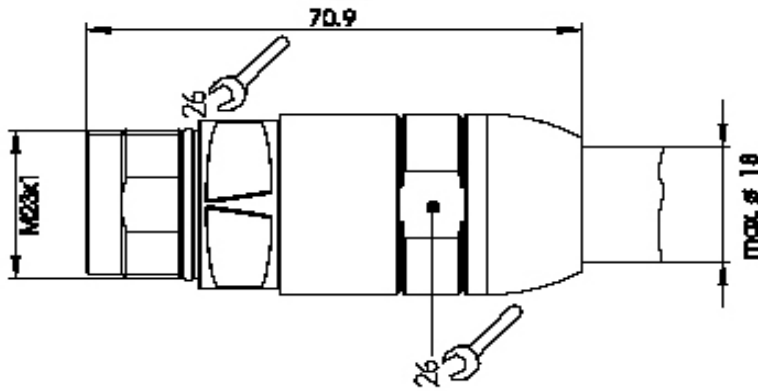
SF
Cable



CONINVERS®

Shielded Cable Connectors M23 Series SF-...

fits all SC/SF-Bulkhead and SC/SF-Cable Connectors w. female coupling nut
Shell style 9L (long)



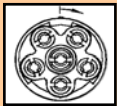
with integrated strain relief and universal sealing for cable dia. 7.5 - 18.0 mm

Assembly instructions: page R-30-11
Spec. sheets: upon request
Caps and accessories: page R-52-05
Crimp contacts: page R-35-17...
Mounting tools: 2 wrenches size 26 mm
Crimp tool for contacts: page R-38-01...

All SF-connectors with universal shielding material for different jacket and shield diameters.

Part Number SF- X X X X X X X X 9 L D L

Please fill in the P/N for the insert



6 pos. male
(5 + E) 5 E P 1 N 8 A
crimp insert w/o contacts



8 pos. male
(4+3+PE) 7 E P 1 N 8 A
crimp insert w/o contacts

SF
Cable

CONINVERS®

Panel Connectors M23 Series SF-...

fits all SF-Cable Connectors with female coupling nut

Shell style AD • front mount •

<p style="text-align: center;">mounting dimensions</p> <p>Assembly instructions: page R-30-11 Spec. sheets: upon request Caps and accessories: page R-52-05 Crimp contacts: page R-35-17... Mounting tools: not necessary Crimp tool for contacts: page R-38-01...</p>	<p style="text-align: center;">connector dimensions</p> <p style="text-align: center;">with axial O-ring rotatable 310° square flange 4 holes 3.2 mm</p>
--	--

Part Number	SF-	x	x	x	x	x	x	x	A	D	0	0
Please fill in the P/N for the insert												
	6 pos. male (5 + E) crimp insert w/o contacts	5	E	P	1	N	8	A				
	8 pos. male (4+3+PE) crimp insert w/o contacts	7	E	P	1	N	8	A				

SF
Panel

CONINVERS®

Panel Connectors M23 Series SF-...

fits all SF-Cable Connectors with female coupling nut

Shell style WA • front mount •

<p style="text-align: center;">mounting dimensions</p>	<p style="text-align: center;">connector dimensions</p> <p style="text-align: center;">with axial O-ring square flange 4 holes 3.2 mm</p>
<p>Assembly instructions: page R-30-11</p> <p>Spec. sheets: upon request</p> <p>Caps and accessories: page R-52-05</p> <p>Crimp contacts: page R-35-17...</p> <p>Mounting tools: not necessary</p> <p>Crimp tool for contacts: page R-38-01...</p>	

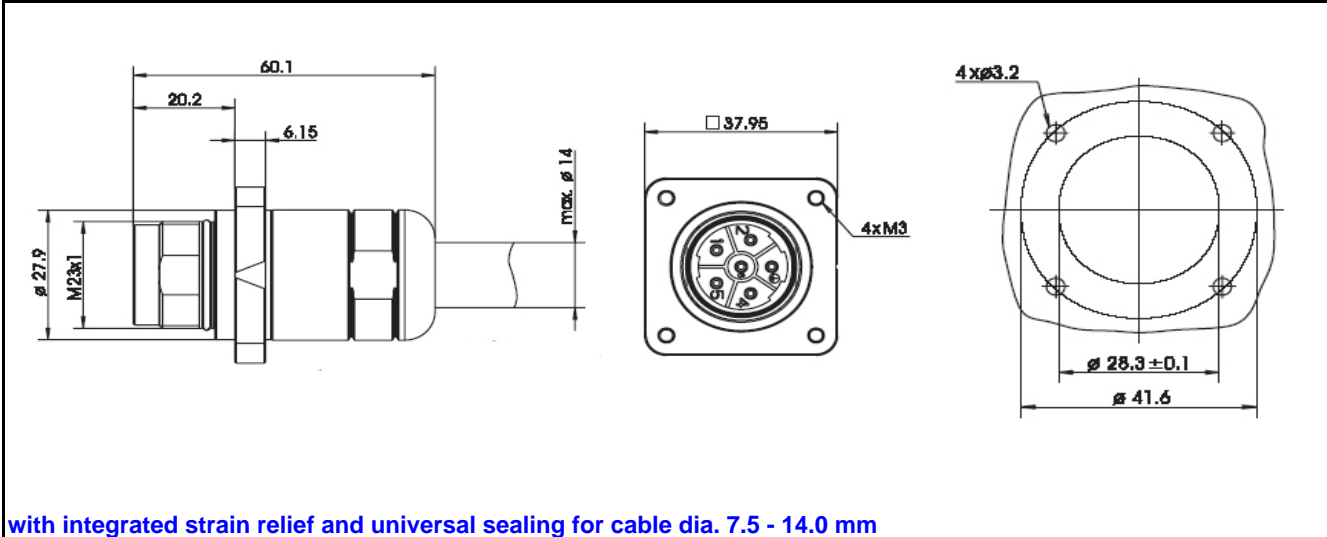
Part Number	SF- x x x x x x x x W A 0 0						
<p>Please fill in the P/N for the insert</p> <table style="width: 100%; border-collapse: collapse;"> <tr> <td style="width: 15%; text-align: center;"></td> <td style="width: 35%;">6 pos. male (5 + E) crimp insert w/o contacts</td> <td style="width: 50%; text-align: center;">5 E P 1 N 8 A</td> </tr> <tr> <td style="text-align: center;"></td> <td>8 pos. male (4+3+PE) crimp insert w/o contacts</td> <td style="text-align: center;">7 E P 1 N 8 A</td> </tr> </table>			6 pos. male (5 + E) crimp insert w/o contacts	5 E P 1 N 8 A		8 pos. male (4+3+PE) crimp insert w/o contacts	7 E P 1 N 8 A
	6 pos. male (5 + E) crimp insert w/o contacts	5 E P 1 N 8 A					
	8 pos. male (4+3+PE) crimp insert w/o contacts	7 E P 1 N 8 A					

SF
Panel

CONINVERS®

Shielded Cable Connectors M23 Series SF-...

fits all SC/SF-Bulkhead and SC/SF-Cable Connectors w. female coupling nut
Shell style C0



with integrated strain relief and universal sealing for cable dia. 7.5 - 14.0 mm

Assembly instructions:	page R-30-11	
Spec. sheets:	upon request	
Caps and accessories:	page R-52-05	All SF-connectors with universal shielding material for different jacket and shield diameters.
Crimp contacts:	page R-35-17...	
Mounting tools:	2 wrenches size 26 mm	
Crimp tool for contacts:	page R-38-01...	

Part Number	SF-	X	X	X	X	X	X	X	X	C	O	D	U
Please fill in the P/N for the insert													
	6 pos. male (5 + E) crimp insert w/o contacts	5	E	P	1	N	8	A					
	8 pos. male (4+3+PE) crimp insert w/o contacts	7	E	P	1	N	8	A					

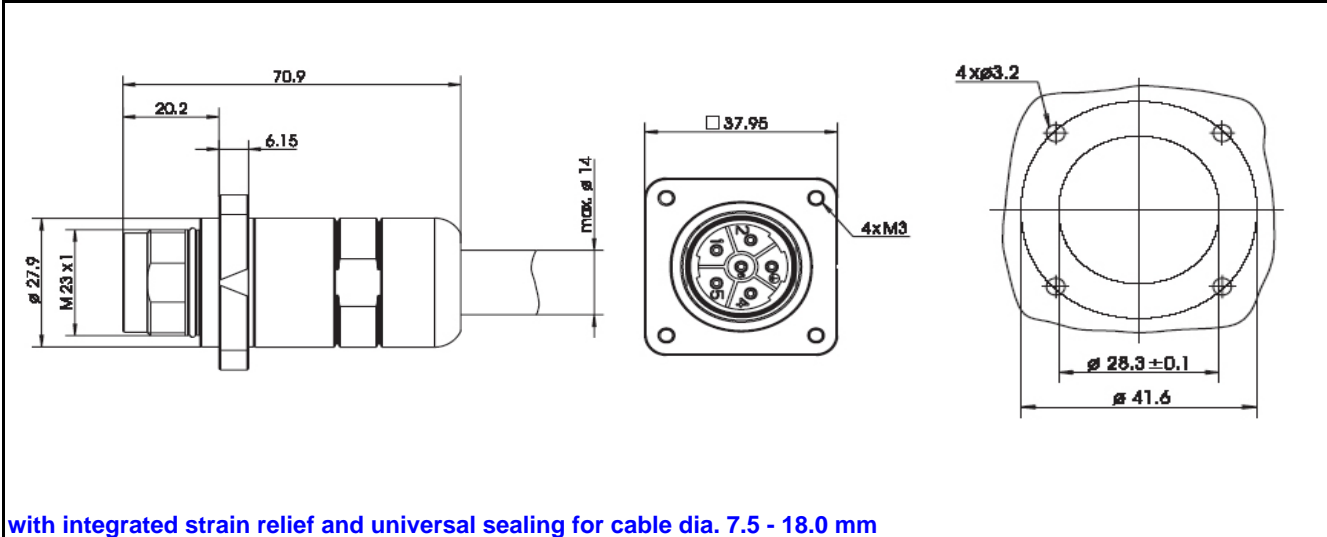
SF
Cable



CONINVERS®

Shielded Cable Connectors M23 Series SF-...

fits all SC/SF-Bulkhead and SC/SF-Cable Connectors w. female coupling nut
Shell style CL



with integrated strain relief and universal sealing for cable dia. 7.5 - 18.0 mm

Assembly instructions: page R-30-11
Spec. sheets: upon request
Caps and accessories: page R-52-05
Crimp contacts: page R-35-17...
Mounting tools: 2 wrenches size 26 mm
Crimp tool for contacts: page R-38-01...

All SF-connectors with universal shielding material for different jacket and shield diameters.

Part Number	SF-	x	x	x	x	x	x	x	x	C	L	D	L
Please fill in the P/N for the insert													
	6 pos. male (5 + E)	5	E	P	1	N	8	A					
crimp insert w/o contacts													
	8 pos. male (4+3+PE)	7	E	P	1	N	8	A					
crimp insert w/o contacts													

SF
Cable

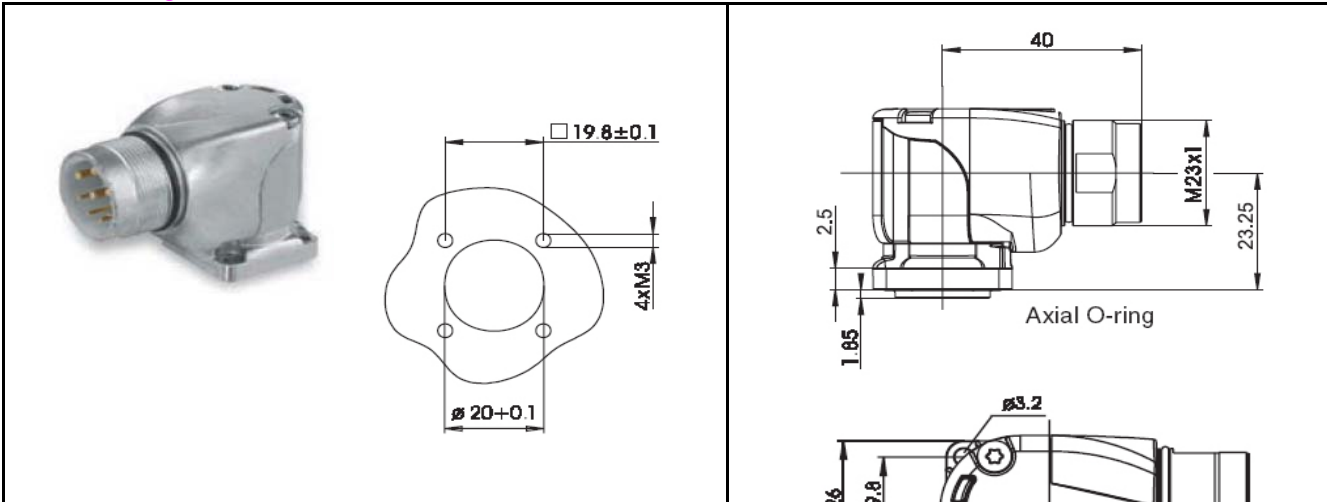


CONINVERS®

Panel Connectors M23 Series SF-...

fits all SF-Cable Connectors with female coupling nut

Shell style AF • front mount •



Assembly instructions: page R-30-11
Spec. sheets: upon request
Caps and accessories: page R-52-05
Crimp contacts: page R-35-17...
Mounting tools: not necessary
Crimp tool for contacts: page R-38-01...

with axial O-ring
 fixed position
 square flange 4 holes 3.2 mm

Part Number	SF-	x	x	x	x	x	x	x	A	F	0	0
-------------	-----	---	---	---	---	---	---	---	---	---	---	---

Please fill in the P/N for the insert

	6 pos. male (5 + E) crimp insert w/o contacts	5	E	P	1	N	8	A
	8 pos. male (4+3+PE) crimp insert w/o contacts	7	E	P	1	N	8	A

SF
Panel

CONINVERS®

Panel Connectors M23 Series SF-...

fits all SF-Cable Connectors with male thread

Shell style Y000, Y0RA • front mount •

straight connector with axial O-ring

angled connector with gasket

Side-view

Measurements

straight flange

straight 4 x M3

angled flange

flange 25 mm □

holes 19.8 mm □

4 holes 2.7 mm Ø

angled 4 x M2.5

Assembly instructions: page R-30-11

Spec. sheets: upon request

Caps and accessories: page R-52-05

Crimp contacts: page R-35-17...

Mounting tools: not necessary

Crimp tool for contacts: page R-38-01...

Part Number	SF-	x	x	x	x	x	x	x	x	Y	0	x	x
-------------	-----	---	---	---	---	---	---	---	---	---	---	---	---

Please fill in the P/N for the insert

6 pos. female
(5 + E)

5 E S 1 N 8 A

crimp insert w/o contacts

8 pos. female
(4+3+PE)

7 E S 1 N 8 A

crimp insert w/o contacts

0 0 straight version

R A angled version
(Y000 include angled base)

SF
Panel

