

Shell material

Machined components: Copper-Zinc alloy (CuZn)
 die cast components: Zinc (GD-Zn)
 Shell plating: Nickel (Ni) plated
 Cable entry: max. 10 mm



Insulator

Connector inserts: Polyamid (PA66),

Contacts

Contact material: Copper-Zinc alloy (CuZn)
 Contact plating: Nickel (Ni) with gold (Au) passivated
 Contact termination: crimp type



Sealing

Sealing rings: Fluor rubber (FPM)
 Gaskets: Fluor rubber (FPM)

All connectors with universal shielding material for different jacket and shield diameters.



Temperature

Temperature (long term) Celsius: - 20 °C up to +125°C
 Temperature (long term) Fahrenheit: - 4 °F up to + 257 °F

Mating



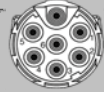




Female coupling nuts: M17, or M17 in Speedcon
 Male receptacles: M17, or M17 in Speedcon
 Mating cycles: Standard min. 50



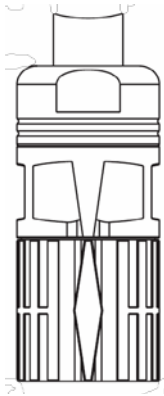
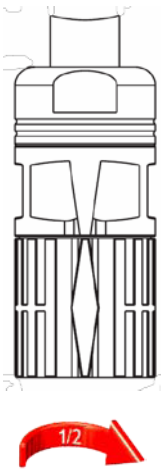
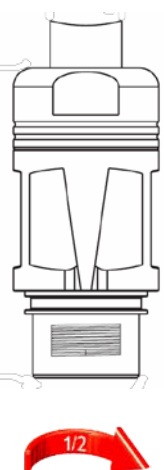
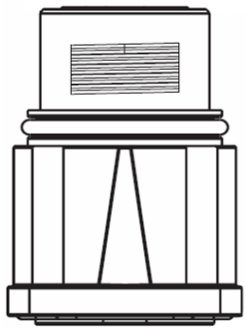
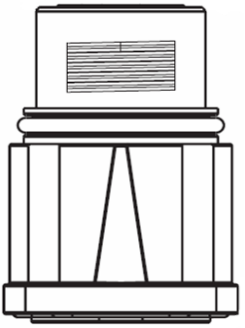
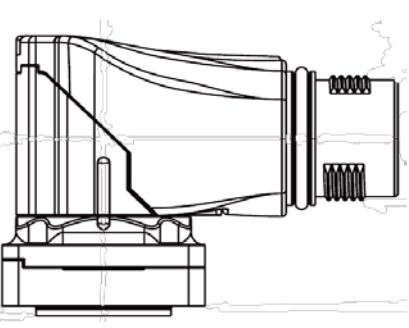
EMC
shielding

Protection

Protection class : IP 67 (mated) depends on which cable gland is used

							
Number of positions	4	6	7	8	9	12	17
Number of contacts	3 + PE	5 + PE	6 + PE	7 + PE	5+3+PE	12	17
Contact dia. (mm Ø)	2	1	1	1	0.6 - 1 - 1	0.6	0.6
Rated current at 25°C (A)	20/25	14	14	14	both items are in preparation		3.6
Rated voltage (V)	630	630	630	630			63
Test voltage (Volt AC)	4,000	6,000	6,000	6,000			1,500
Overtoltage category DIN EN 61984-2001	III	III	III	III			III
Installation altitude above sea level	3,000 m	3,000 m	3,000 m	3,000 m			3,000 m

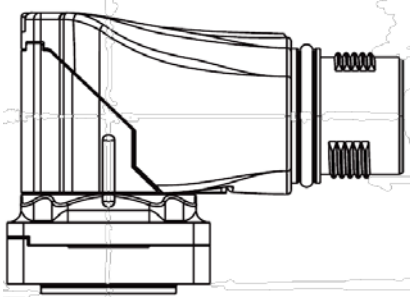
Shielded Connectors M17/Speedcon Series ST
Shell styles 8, 8S, 9S, WQ, W4, AD

ST-xxxxxxx8xxx page C-D-04	ST-xxxxxxx8xxxS page C-D-04	ST-xxxxxxx9xxxS page C-D-05
cable connector straight with coupling nut M17 cable entry max. 10 mm universal shielding material	cable connector straight with coupling nut M17 (1/2 turn) cable entry max. 10 mm universal shielding material	cable connector straight with outside thread M17 (1/2 turn) cable entry max. 10 mm universal shielding material
 <p style="text-align: center;">style 80</p>	 <p style="text-align: center;">style 80</p>	 <p style="text-align: center;">style 90</p>
ST-xxxxxxxWQxxS page C-D-06	ST-xxxxxxxW4xxS page C-D-06	ST-xxxxxxxADxxS page C-D-07
front mount, straight square flange, axial O-ring flange with holes with outside thread M17 (1/2 turn)	front mount, straight, snap in square flange, axial O-ring flange with holes with outside thread M17 (1/2 turn)	front mount, angled rotary square flange, axial O-ring flange 21.6 x 21.6 with holes with outside thread M17 (1/2 turn)
 <p style="text-align: center;">style WQ</p>	 <p style="text-align: center;">style W4</p>	 <p style="text-align: center;">style AD</p>

CONINVERS®

Shielded Connectors M17/Speedcon Series ST Shell style AC



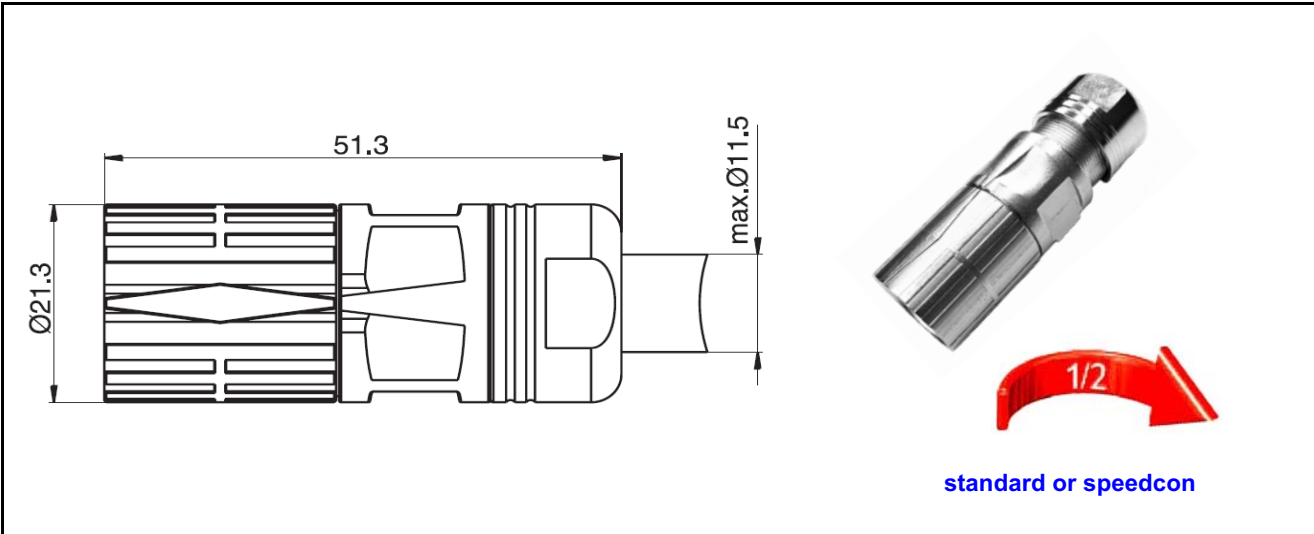
<p>ST-xxxxxxxACxxS page C-D-07</p>		
<p>front mount, angled rotary square flange, axial O-ring flange 25 x 25 with holes with outside thread M17 (1/2 turn)</p>		
 <p>style AC</p>		

CONINVERS®

Shielded Connectors M17/Speedcon Series ST

fits all ST- Bulkhead

Shell style 80xx/80xxS



Assembly instructions: page B-D-31
Caps and accessories: pages: B-H-01...
Derating Curve: page B-F-03
Mounting tools: N/A

Crimp tool for contacts: pages B-B-03...
Crimp contacts: pages B-C-20.....

All ST-connectors with universal shielding material for different jacket and shield diameters.

We also deliver as a connector set. Connector with crimp insert - and contacts separate included. Please ask for P/N.

Part Number	ST-	x	x	x	1	N	8	A	8	0	0	x	x
Please fill in the first 7 digits of your desired connector insert (4-17 positions) from pages B-A-50....													
Connectors with integrated strain relief and....													
seal ring for 3.5 - 4 mm Ø									8	0	0	1	
seal ring for 4 - 5 mm Ø									8	0	0	2	
seal ring for 5 - 8 mm Ø									8	0	0	3	
seal ring for 8 - 10 mm Ø									8	0	0	4	
Connectors with crimp insert - and contacts separate included.													
seal ring for 3.5 - 4 mm Ø									8	0	0	1	S
seal ring for 4 - 5 mm Ø									8	0	0	2	S
seal ring for 5 - 8 mm Ø									8	0	0	3	S
seal ring for 8 - 10 mm Ø									8	0	0	4	S
seal ring for 10 - 12.50 mm Ø									8	0	0	5	S

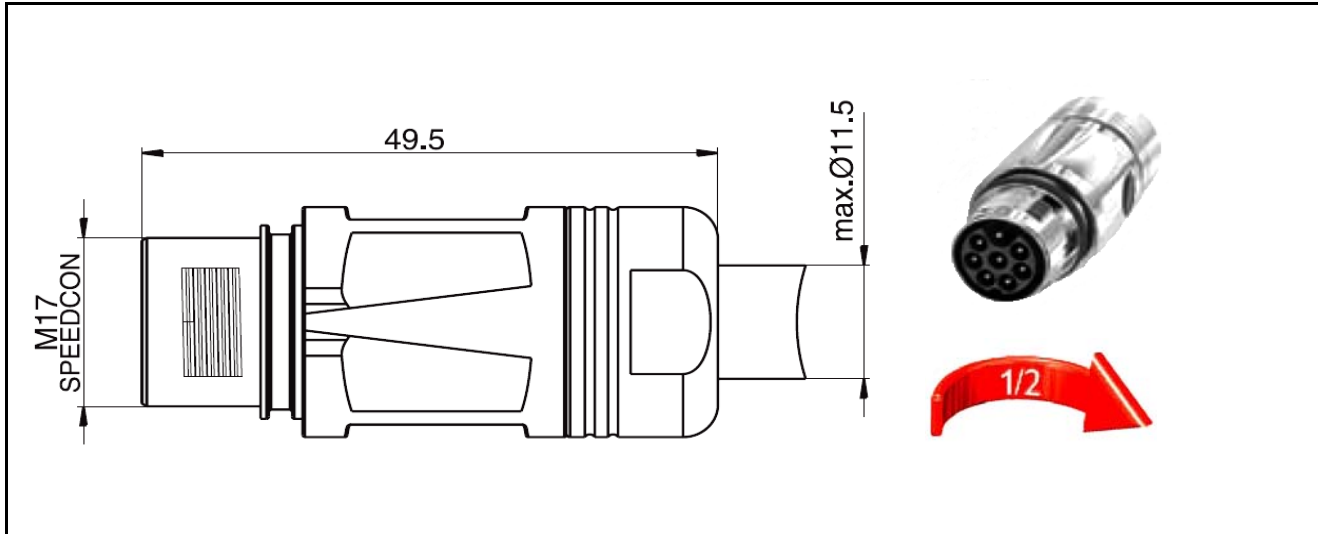


CONINVERS®

Shielded Connectors M17/Speedcon Series ST

fits all ST- Bulkhead

Shell style 90xxS



Assembly instructions: page B-D-31
Caps and accessories: pages: B-H-01...
Derating Curve: page B-F-03
Mounting tools: N/A

Crimp tool for contacts: pages B-B-03...
Crimp contacts: pages B-C-20.....

All ST-connectors with universal shielding material for different jacket and shield diameters.

We also deliver as a connector set. Connector with crimp insert - and contacts separate included. Please ask for P/N.

Part Number	ST-	x	x	x	1	N	8	A	9	0	0	x	S
Please fill in the first 7 digits of your desired connector insert (4-17 positions) from pages B-A-50....													
Connectors with integrated strain relief and....													
seal ring for 3.5 - 4 mm Ø									9 0 0 1				
seal ring for 4 - 5 mm Ø									9 0 0 2				
seal ring for 5 - 8 mm Ø									9 0 0 3				
seal ring for 8 - 10 mm Ø									9 0 0 4				
seal ring for 10 - 12.5 mm Ø									9 0 0 5				

CONINVERS®

Shielded Connectors M17/Speedcon Series ST

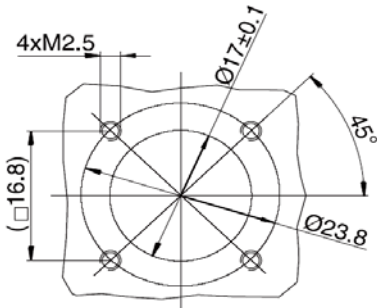
fits all ST-Cable Connectors with coupling nut

Shell style WQ/W4 (front mount receptacles)

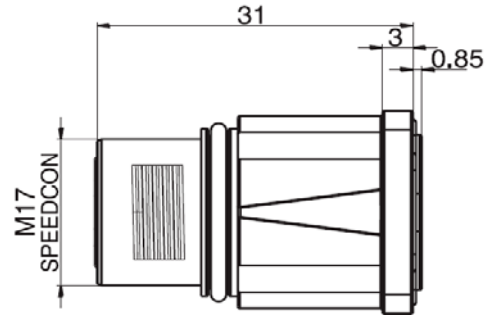


mounting dimensions

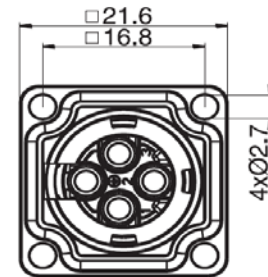
bore holes



side view with O-ring axial



top view



Assembly instructions: pages B-D-32/33
 Caps and accessories: pages B-H-01...
 Derating Curve: page B-F-03
 Mounting tools: page B-E-03

Crimp tool for contacts: pages B-B-03...
 Crimp contacts: pages B-C-20.....

We also deliver as a connector set.

Connector with crimp insert - and contacts separate included. Please ask for P/N.



Part Number

ST- X X X 1 N 8 A W X X X S

Please fill in the first 7 digits of your desired connector insert (4-17 positions) from pages B-A-50.....

Connector with axial O-ring, flange with 4 holes 2.7 mm Ø **W Q 0 0**
the insert is fixed with the installation of the connector

Connector with axial O-ring, flange with 4 holes 2.7 mm Ø **W 4 0 0**
the insert should be snapped in before mounting



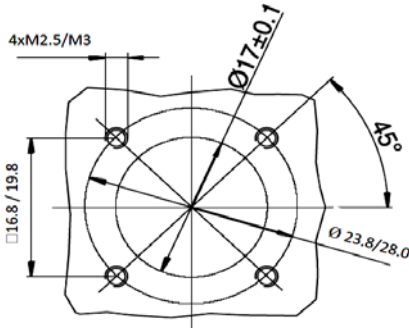
CONINVERS®

Shielded Connectors M17/Speedcon Series ST
fits all ST-Cable Connectors with coupling nut
Shell style AD/AC/AE (front mount receptacles)

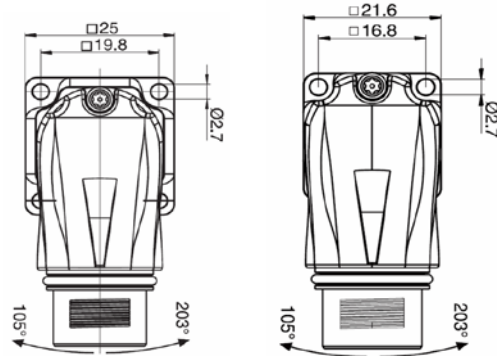
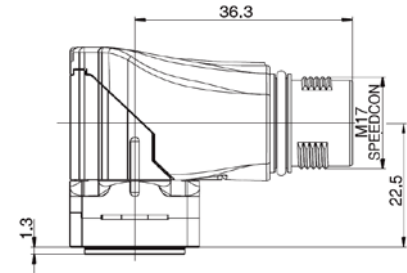


mounting dimensions

bore holes AD, AC, AE (M3)



side view with
O-ring axial



Assembly instructions: page B-D-32
 Caps and accessories: pages: B-H-01...
 Derating Curve: page B-F-03
 Mounting tools: page B-E-03

Crimp tool for contacts: pages: B-B-03...
 Crimp contacts: pages: B-C-20.....

We also deliver as a connector set.

Connector with crimp insert - and contacts separate included. Please ask for P/N.



Part Number

ST- X X X 1 N 8 A A X X X S

Please fill in the first 7 digits of your desired connector insert (4-17 positions) from pages B-A-50....

Connector with axial O-ring, flange with 4 holes 2.7 mm Ø flange □21.6 mm	A D 0 0
Connector with axial O-ring, flange with 4 holes 2.7 mm Ø flange □25.0 mm	A C 0 0
Connector with axial O-ring, flange with 4 holes 3.2 mm Ø flange □25.0 mm	A E 0 0

